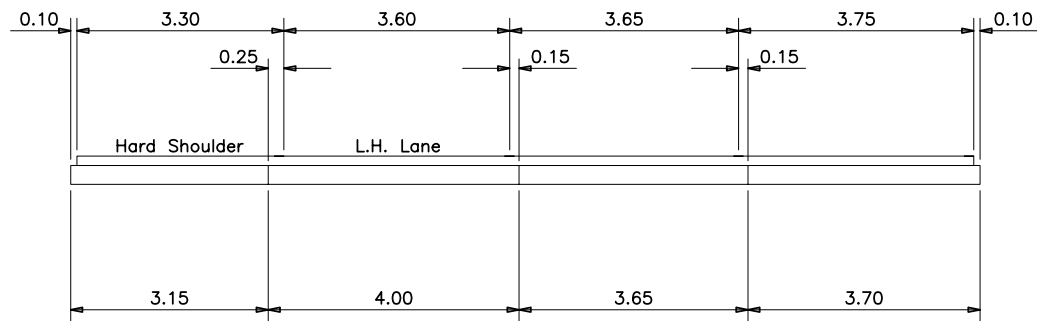
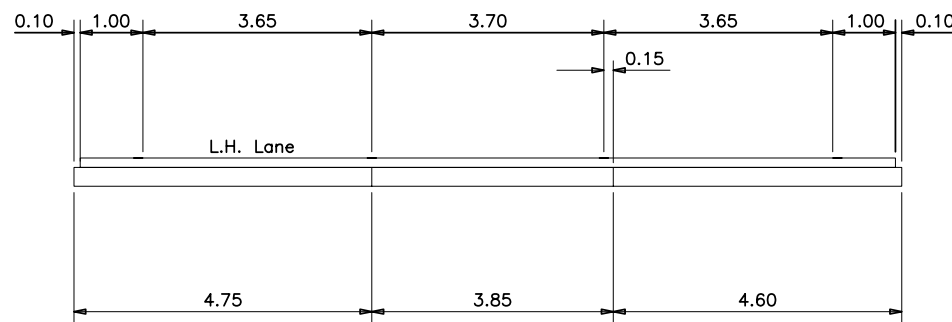


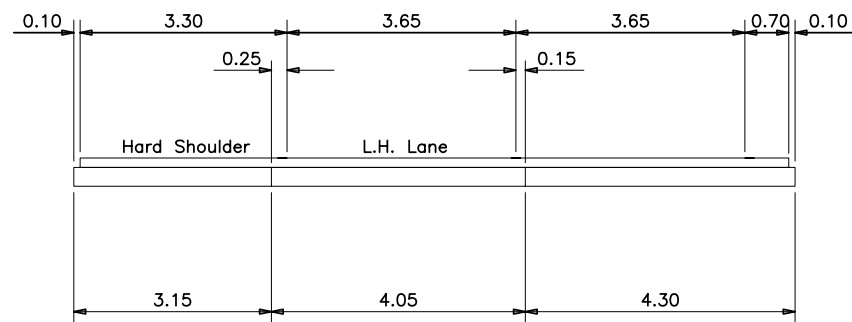
SINGLE ALL-PURPOSE (S2)
DUAL TWO LANE ALL-PURPOSE (D2AP)



DUAL THREE LANE MOTORWAY (D3M)
(D4M Similar)



DUAL THREE LANE ALL-PURPOSE (D3AP)



DUAL TWO LANE MOTORWAY (D2M)

NOTES

1. ALL DIMENSIONS ARE IN METRES.
2. Example layouts shown meet the requirements of Clause 1042.

HIGHWAY CONSTRUCTION DETAILS	FLEXIBLE COMPOSITE CARRIAGEWAY			EXAMPLE LAYOUTS FOR LONGITUDINAL CONSTRUCTION JOINTS IN CEMENT-BOUND ROADBASES	Drawing No.
		A	DEC 91		J1
		Issue	Date		