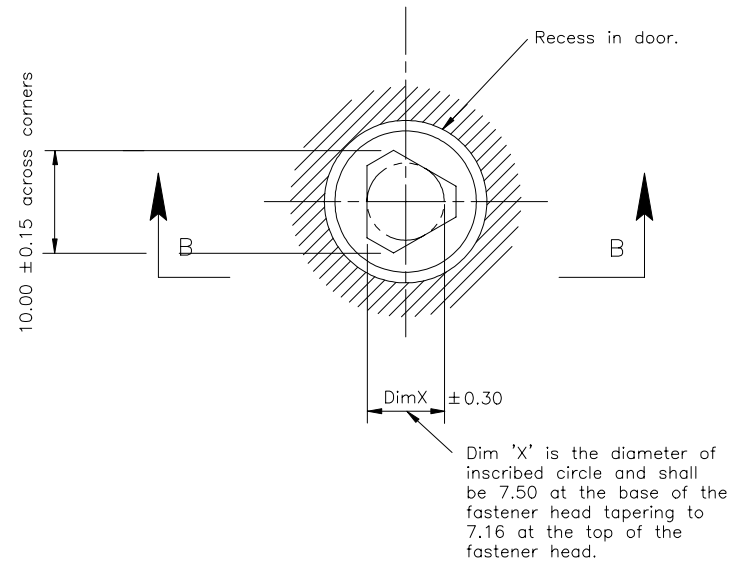
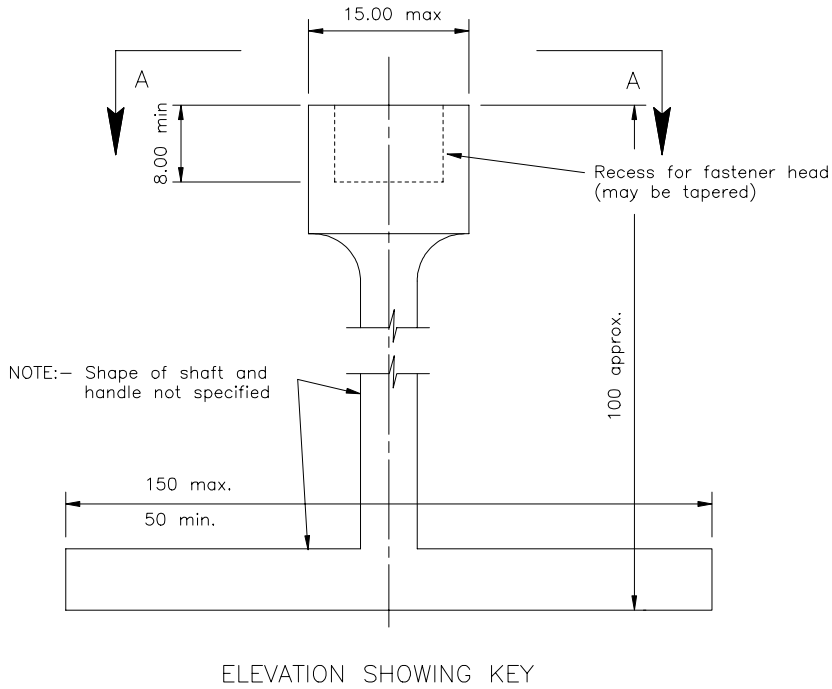
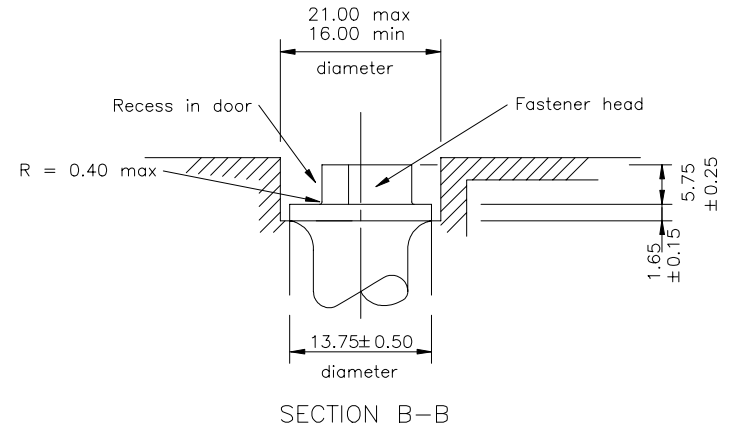
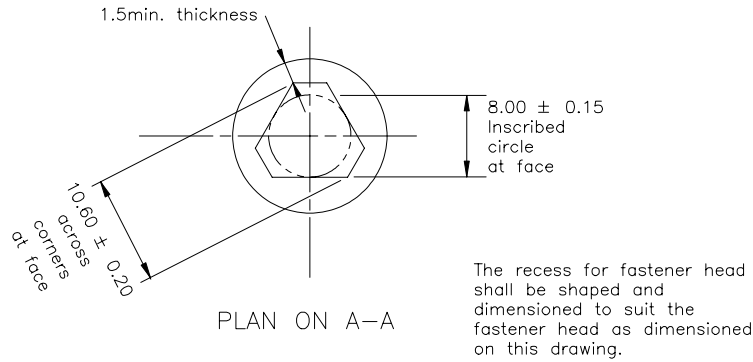
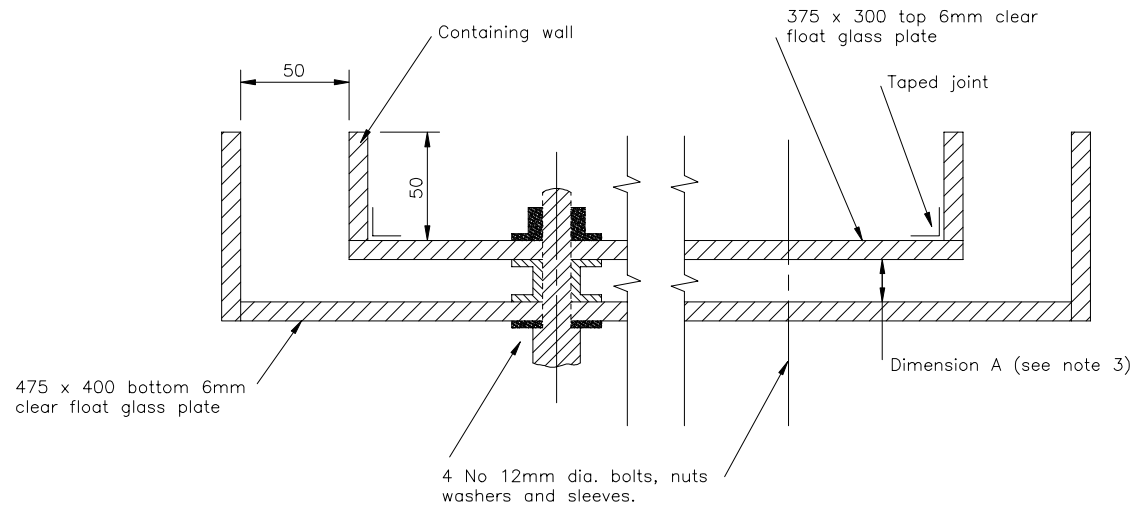


- NOTES: 1. All dimensions are in millimetres.
 2. The key shall be capable of releasing without damage all tri-head fasteners as dimensioned on this drawing.



HIGHWAY CONSTRUCTION DETAILS	MISCELLANEOUS			ROAD LIGHTING COLUMNS-FASTENER HEAD IN DOOR RECESS AND KEY	Drawing No.
		A	DEC 91		K1
		Issue	Date		



NOTES:

1. This apparatus is to be used for the test described in Clause 2601.4(iii).
2. Dimension A is 10mm for grouts appropriate to plinth height 10–25mm and 20mm for grouts appropriate to plinth height 20–50mm.
3. Grout is to be mixed and poured using the Contractor's proposed site method until it reaches the underside of the top plate and has risen up the containing walls to a depth of at least 10mm.
4. Plates are to be horizontal during pouring and curing, and are not to be moved once pouring has commenced until dismantling.
5. All dimensions are in mm.

HIGHWAY CONSTRUCTION DETAILS

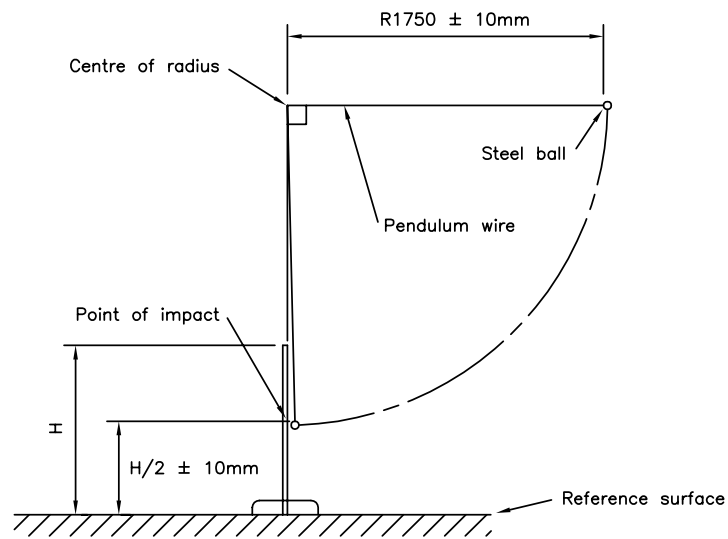
MISCELLANEOUS

A	DEC 91
Issue	Date

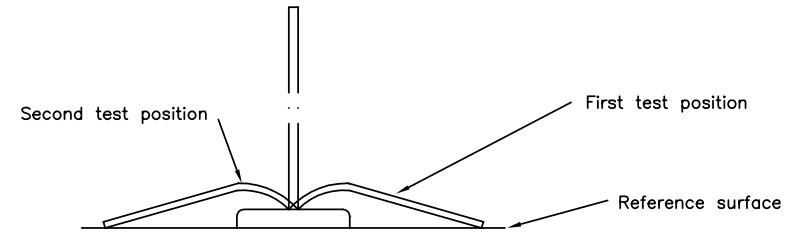
BEDDING MORTAR TEST APPARATUS
FOR FLOW BETWEEN GLASS PLATES

Drawing No.

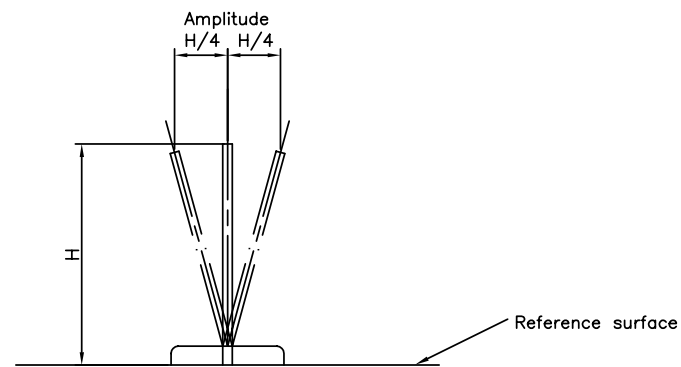
K2



APPARATUS FOR LOW TEMPERATURE IMPACT TEST ON FLAT TRAFFIC DELINEATOR

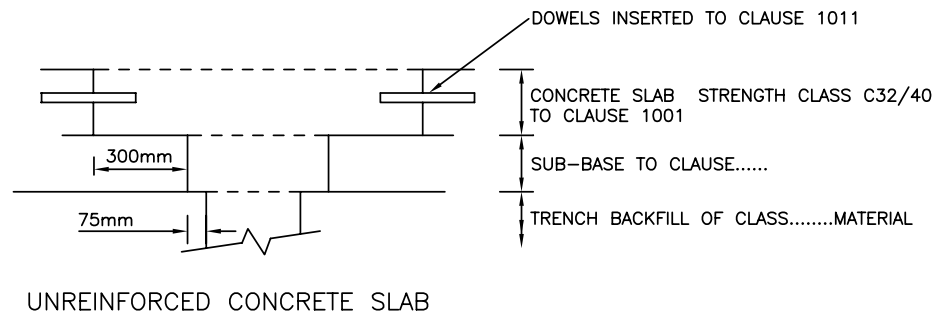
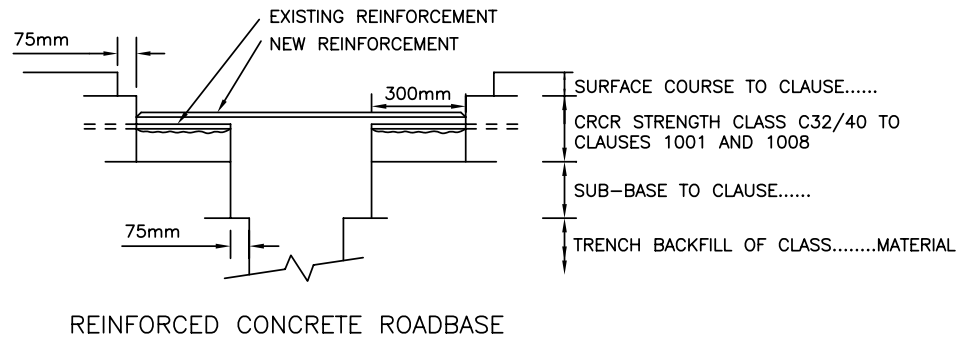
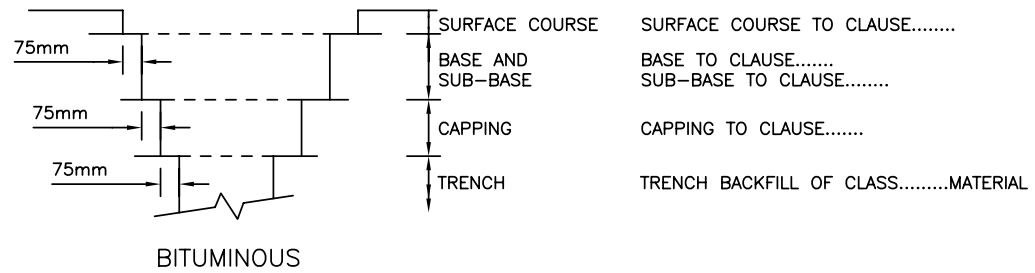


MOVEMENT OF FLAT TRAFFIC DELINEATOR IN BENDING TEST

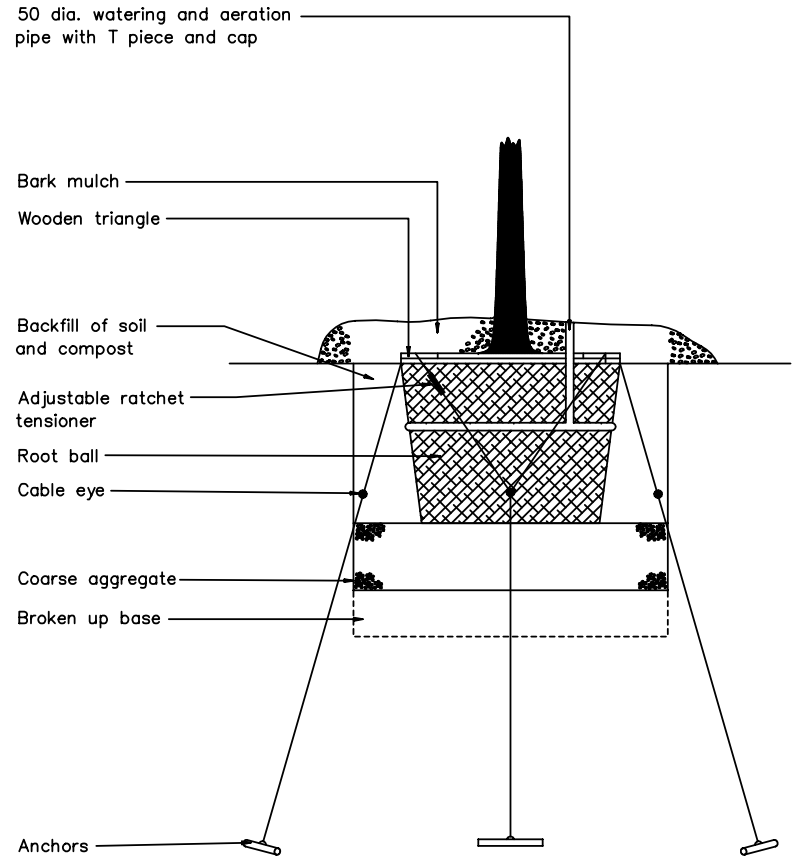
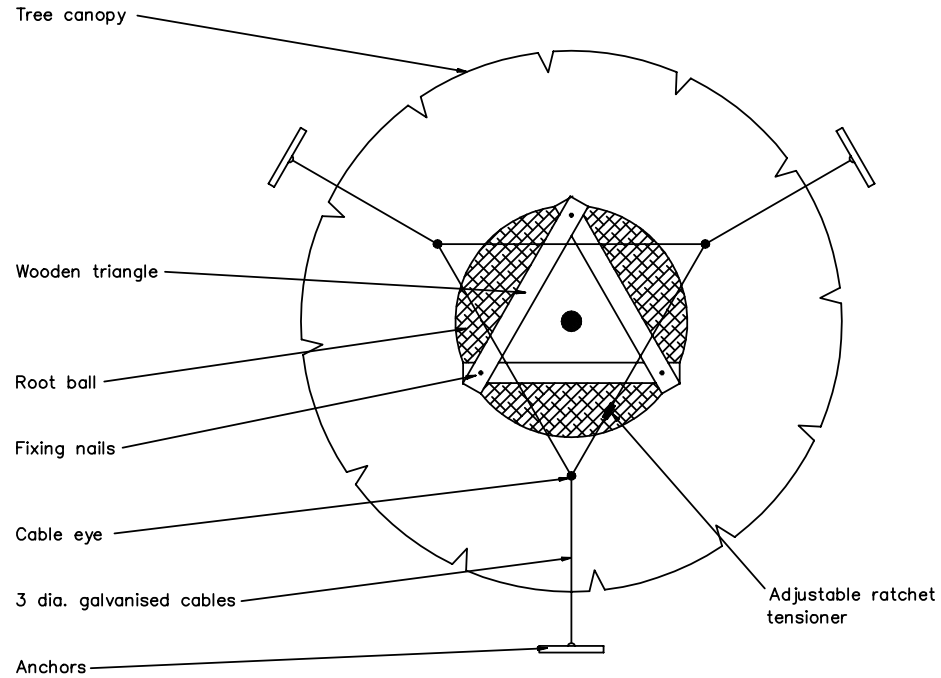


MOVEMENT OF FLAT TRAFFIC DELINEATOR IN FATIGUE TEST

HIGHWAY CONSTRUCTION DETAILS	MISCELLANEOUS			FLAT TRAFFIC DELINEATOR TEST DETAILS	Drawing No.
		A	DEC 91		K3
		Issue	Date		



HIGHWAY CONSTRUCTION DETAILS	MISCELLANEOUS	C	MAY 04	TYPICAL TRENCH REINSTATEMENT DETAILS FOR BITUMINOUS AND CONCRETE PAVEMENTS	Drawing No.
		B	MAY 02		K4
		A	DEC 91		
		Issue	Date		



SECTION THROUGH PLANTING PIT

NOTES

- 1. Dimensions of planting pit varies.
- 2. ALL DIMENSIONS ARE IN MILLIMETRES UNLESS OTHERWISE STATED.

HIGHWAY CONSTRUCTION DETAILS	MISCELLANEOUS	A	MAY 01	PLANTING DETAILS FOR PLANTING LARGE TREES	Drawing No.
		P1	MAR 95		K5
		Issue	Date		